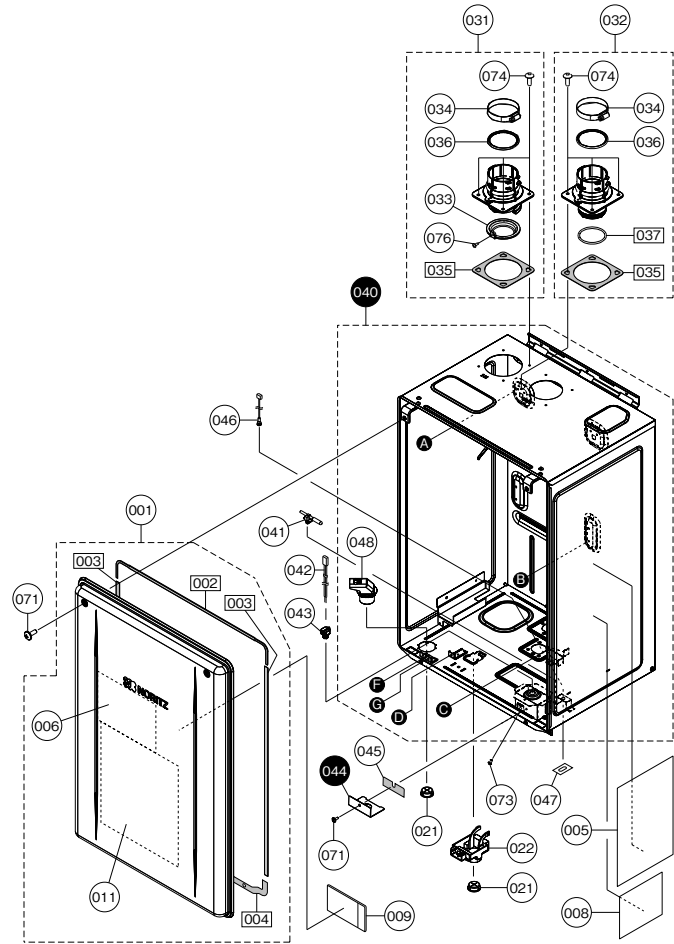


External outfitting NCC199CDV(GQ-C3260WZ-FF US)



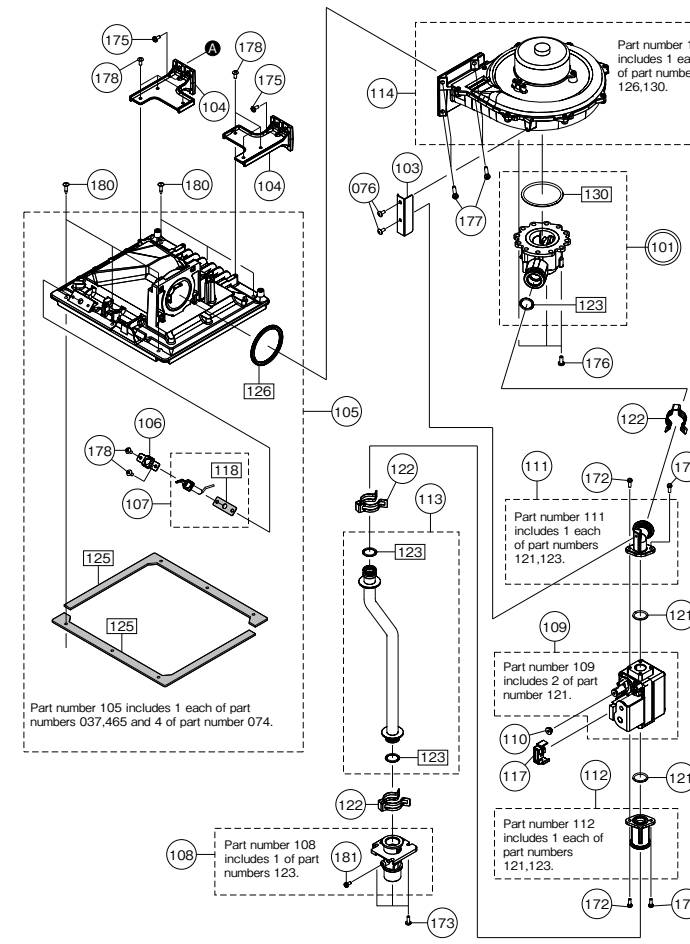
External outfitting NCC199CDV(GQ-C3260WZ-FF US)

Part Nos.	Part Names	Order Nos.	Q'ty/unit
001	Front Cover - GQ-C3260WZ-FF US	SKJ72NW	1
002	Gasket - Front Cover Top	FABL011	1
003	Gasket - Front Cover Sides	CVAL004	2
004	Gasket - Front Cover Top and Bottom	AAPLO15	1
005	Label - Outside Front Cover Caution Label	ELVK003	1
006	Label - Inside Front Cover Caution Label	ELVK006	1
008	Label - Name Plate DV/GQ	FABK010	1
009	Parts List/Technical sheet	FDBK051	1
011	Wiring Diagram	FDBK002	1
021	Wire Grommet - Rubber	CXPA026	2
022	External Remote Terminal Block	EBTAD17	1
031	Intake Flue w/ O-Ring and Gasket (SET)	SKJ71W1	1
032	Exhaust Flue w/ O-Ring and Gasket (SET)	SKJ71W2	1
033	Filter - Intake Air	FABF101	1
034	Clamp - Exhaust Pipe	FABF108	2
035	Gasket - Exhaust Flue	FABL101	2
036	O-Ring - Exhaust Pipe	FABL102	2
037	O-Ring - Exhaust Flue	FABL103	1
040	Case - GQ-C3260WZ-FF US	FDBA151	1
041	Thermistor - Air	EZMH101	1
042	Inlet Power Wires	ENJJ020	1
043	Inlet Power Wire Clip	ETPA073	1
044	Junction Box Cover	ENWJ025	1
045	Gasket - Junction Box Cover	ENWLO05	1
046	LED Light	CRPJ014	1
047	Sight Glass Window	ENKK002	1
048	Wiring Through Way	EGLA026	1

071	Screw - Front Cover with washer M4X12 S410		
073	Screw - Remote Terminal M4X8 S430		
074	Screw - Pre-Coated Machined M4X12 S410		
076	Screw - Remote Terminal M4X10 S430		

071	Screw - Front Cover with washer M4X12 S410		
073	Screw - Remote Terminal M4X8 S430		
074	Screw - Pre-Coated Machined M4X12 S410		
076	Screw - Remote Terminal M4X10 S430		

Combustion unit and gas route NCC199CDV(GQ-C3260WZ-FF US)

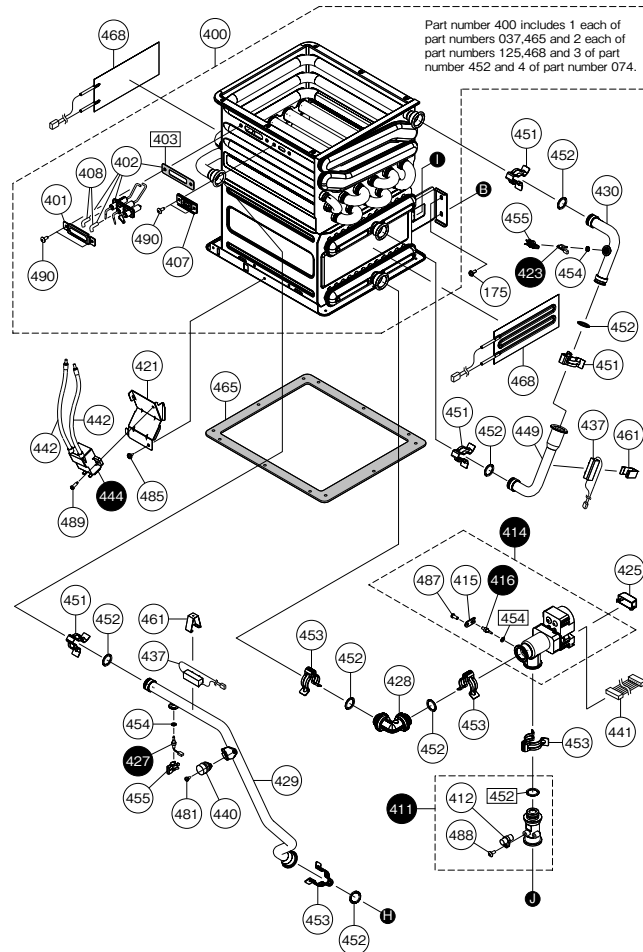


Combustion unit and gas route NCC199CDV(GQ-C3260WZ-FF US)

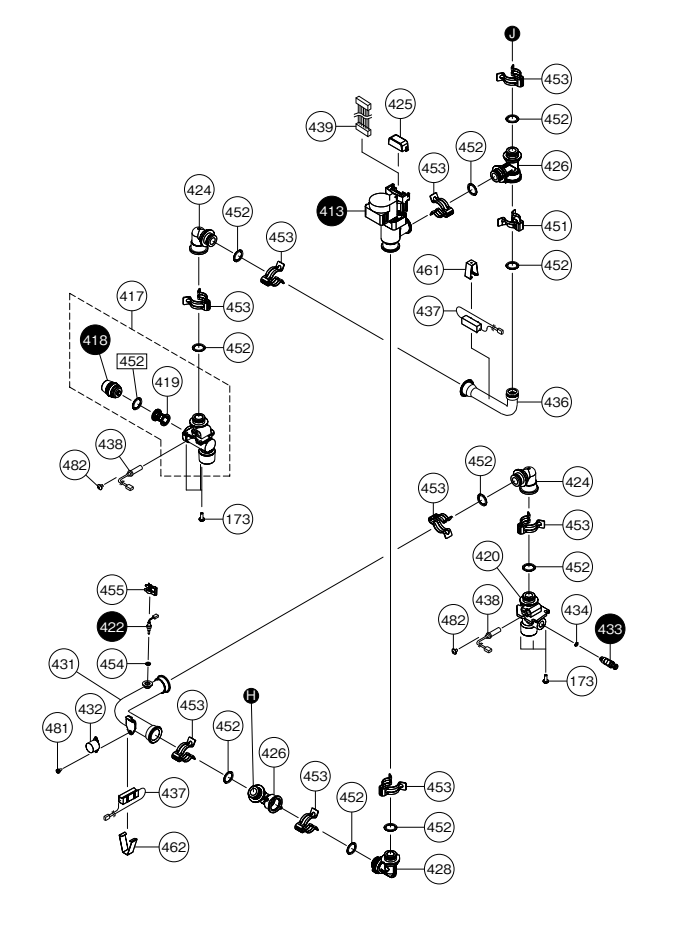
Part Nos.	Part Names	Order Nos.	Q'ty/unit
101	Venturi 199kbtuh - LP (SET)	SKJ72N2	1<LP>
103	Venturi 199kbtuh - NG (SET)	SKJ72N3	1<NG>
104	Mounting Plate - Gas Valve	FDA0101	1
105	Mounting Plate - Chamber	FABC031	2
106	Burner Chamber (SET)	SKJ72N4	1
107	Mounting Plate - Flame Lifting Detection	FDAC014	1
108	Flame Lifting Detection w/ Gasket	SKJ72QD	1
109	Inlet Gas Connection w/ Screw (SET)	SKJ71UX	1
110	Gas Valve (SET)	SKJ71WB	1
111	Cover - Offset Adjustment	FABE011	1
112	Gas Valve Outlet Connector (SET)	SKJ72MR	1
113	O-Ring - P20	2192004	2
114	Gas Pipe (SET)	SKJ72MT	1
115	Fan Motor w/ Housing	SKJ72MS	1
116	Cover - Gas Valve Connector	FABJ032	1
118	Gasket - Flame Lifting Detection	FDAL020	1
121	O-Ring - P20	2192004	2
122	"C" Clamp - 1/8"	6340407	3
123	O-Ring - P18	2110903	3
125	Gasket - Burner	FDAL002	2
126	Gasket - Chamber Inlet	FDAL004	1
130	O-Ring - Venturi ø60	FABL017	1

172	Screw - Long Mounting Machine with Spring Washer M4X12 S430		
173	Screw - Long Machine M4X12 S410		
175	Screw - Medium Machine 4X10 S410		
176	Screw - Mounting Machine M5X12 S430		
177	Screw - Long Mounting Machine M5X25 S430 Scoast		
178	Screw - Medium Machine M4X10 S410 for Aluminum		
180	Screw - Truss Head Self Drilling Tapping M4X18 S410		
181	Screw - Inlet and Manifold Gas M4X8		

Hot-water feed route 1 NCC199CDV(GQ-C3260WZ-FF US)



Hot-water feed route 2 NCC199CDV(GQ-C3260WZ-FF US)

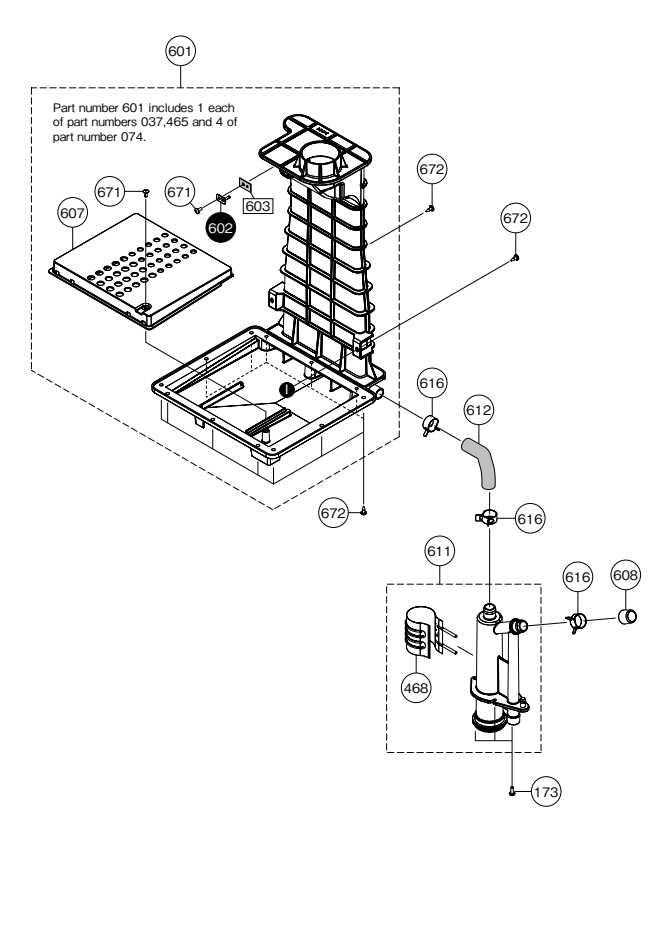


Hot-water feed route NCC199CDV(GQ-C3260WZ-FF US)

Part Nos.	Part Names	Order Nos.	Q'ty/unit
400	Heat Exchanger Kit Primary SS (SET)	SKJ72MV	1
401	Mounting Plate - Ignition Plug	FDAB065	1
402	Ignition Plug w/ Gasket	SKJ72MT	1
403	Gasket - Ignition Plug (HEX)	FDAL009	1
407	Burner Window (SET)	FDAB062	2
408	Plug Cover	FABL019	1
411	Water Flow Sensor (SET)	EPAD001	1
412	Magnetic Sensor - Flow Sensor	BWCD093	1
413	Water Servo - Bypass (SET)	ETFD050	1
414	Water Servo -Main (SET)	ETFD051	1
415	Thermistor Holding Plate	ALSD088	1
416	Thermistor - White - 0/4	BWCD098	1
417	Inlet Water Connection (SET)	EHDV001	1
418	Water Filter Cap	DTJD006	1
419	Water Filter	EGBD032	1
420	Outlet Water Connection	ERHJ004	1
421	Mounting Plate - Igniter	FDA0115	1
422	Thermistor - Pink	EZMD003	1
423	Thermistor - Blue	EZMD001	1
424	Water Connector - Elbow	DYTD002	2
425	Wire Cover - Servo	EBTD023	2
426	T-Elbow	FDA0117	2
427	Thermistor - White	EZMD004	1
428	L-Elbow	FDAD016	2
429	Pipe - Primary SS HEX to T-Elbow	FBD0005	1
430	Pipe - Secondary SS HEX to Primary SS HEX	FDAD023	1
431	Pipe - T-Elbow to Outlet Water Connection	FBD0003	1
432	High Limit Switch - 1/8"	FADH001	1
433	Drain Cock	CRUD003	1
434	O-Ring - High Temp P3	SAD6633	1
436	Pipe - Inlet Water Connection to T-Elbow	FBD0001	1
437	Freeze Prevention Heater - Rectangle	ERDH002	4
438	Freeze Prevention Heater - Round Short	ERDH003	2
439	Wiring Harness - Bypass Water Servo	ETFJ033	1
440	High Limit Switch - 2/1"	FAHQ002	1
441	Wiring Harness - Main Water Servo	JBGJ024	1
442	High Voltage Igniter Wire L175	ALSJ078	2
444	Igniter	FABJ100	1
449	Pipe - Secondary SS HEX to Primary SS HEX	FDAD025	1
451	"C" Clamp - Water Pipe 1/6-2/5	SAD6593	5
452	O-Ring - High Temp P16	3223302	19
453	"C" Clamp - Water Pipe 1/6A	6340300	13
454	O-Ring - Thermistor High Temp P4	1323709	4
455	"C" Clamp - Thermistor	CRUD055	3
461	Clamp - Freeze Prevention	AMML001	3
462	Clamp - Freeze Prevention	ELVL011	1
465	Gasket - Exhaust Duct	FDAL003	1
468	Freeze Prevention Heater - Condensate Container	ETHH004	3

481	Screw - Small Tapping w/o collar M4X8 S410		
482	Screw - Short Machined M4X6 S410		
485	Screw - Short Tapping M4X8 S410		
487	Screw - Round Head Medium Tapping M4X10 S410		
488	Screw - Round Head Medium Tapping M4X10 S305		
489	Screw - Long Mounting Machine M4X12 S430		
490	Screw - Truss Head Self Drilling Tapping 4X12 PS550		

Condensate feed route NCC199CDV(GQ-C3260WZ-FF US)

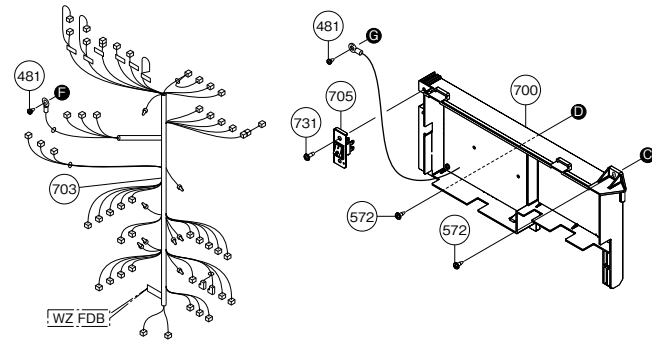


Condensate feed route NCC199CDV(GQ-C3260WZ-FF US)

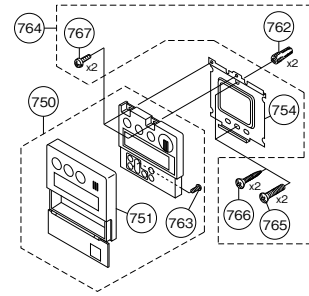
Part Nos.	Part Names	Order Nos.	Qty/unit
601	Exhaust Duct (SET)	SKJ72N7	1
602	Thermistor - Exhaust	ETHH002	1
603	Gasket - Exhaust Thermistor	ETHL004	1
607	Condensate Drainage Plate	FDAF045	1
608	Drain Cap	FABF056	1
611	Condensate Container (SET)	SKJ71WF	1
612	Drain Hose - SS HEX	FDAF051	1
616	Clamp - Condensate Hose NO.45	SAD6536	3
671	Screw - Truss Head Medium Machine 4X10 S410		
672	Screw - Long Tapping M4X12 S410		

Electronic control unit and Remote controller
NCC199CDV(GQ-C3260WZ-FF US)

Electronic control unit



Remote controller
RC-9018M US



Attached set NCC199CDV(GQ-C3260WZ-FF US)

Attached set

<Special part>

Special part	Special part no.
Owner's guide	888
Installation manual	889

※ To request a French version of the Owner's guide or Installation manual, contact Noritz America.

Optional
SC-401-6M US

part	part no.
Installation manual	954

Quick-Connect Cable QC-2

It is required for replacing one of two models that are connected by Quick Connect using QC-1 with this model. (It is used for connecting QC-1, which has been constructed, with this model.)

part	part no.
Installation manual	964

Screw Kit for GQ-C3260 Series

O-ring Kit

Electronic control unit and Remote controller and Attached set
NCC199CDV(GQ-C3260WZ-FF US)

Part Nos.	Part Names	Order Nos.	Qty/unit
700	Circuit Board	SKJ72M0	1
703	Wiring Harness - GQ-C3260WZ-FF US	SKJ72N9	1
704	Wire Clamp - Nylon #4	Z287909	1
705	Rocker Switch	FAQJ030	1
731	Screw - Remote Terminal Cover M4X12 S410		
750	Remote Controller - RC-9018M (SET)	QNJ015	1
751	Cover - Remote RC-9018M	QNGA020	1
754	Mounting Plate - Remote RC-9018M	QNA021	1
762	Dry Wall Anchors#X25		
763	Screw - Round Head Machine M3X6 S430		
764	Screw Package - RC-9018M (SET)	QNA100	1
765	Screw - Flat Head Machine M4X35		
766	Screw - Flat Head Tapping 4X20		
767	Screw - Round Head Machine M3X6		
800	Box - GQ-C3260WZ-FF US	SKJ72N8	1
801	Remote Cord - flt	ETHM001	1
802	Wall Mounting Plate	FDAA103	1
803	Wood Screw Set#7	SAD2028	1
804	Screw - Round Head Wood 4.8X38 S305		
888	Owner's Guide - GQ-C3260WZ-FF US	SBB8165	1
889	Installation Manual - GQ-C3260WZ-FF US	SBB8166	1
951	System Controller - SC-401-6M	SHC7021	1
952	Terminal Block - System Controller	ENUJ106	1
953	Cover - System Controller	ENUJ115	1
954	Installation Manual - SC-401-6M	SBB80UW	1
961	Quick Connect Cord - QC-2	0706377	1
962	Adaptor - QC-1 to QC-2	SAG4672	1
963	Wire Clamp - Nylon #3	Z223901	2
964	Installation Manual - QC-2	SAO8992	1
981	Screw Kit for GQ-C3260 Series	SKJ72N0	1
982	O-Ring Kit	SKJ72N1	1
983	Screw - Medium Tapping M4X10 S410		
984	Screw - Long Mounting Machine M4X12 S430		
985	Screw - Medium Machine M4X10 P5550		
986	Screw - Short Machine M3X5 S410 for Aluminum		
987	O-Ring - High Temp P22	7573308	3
988	O-Ring - High Temp P12.5	3359808	3