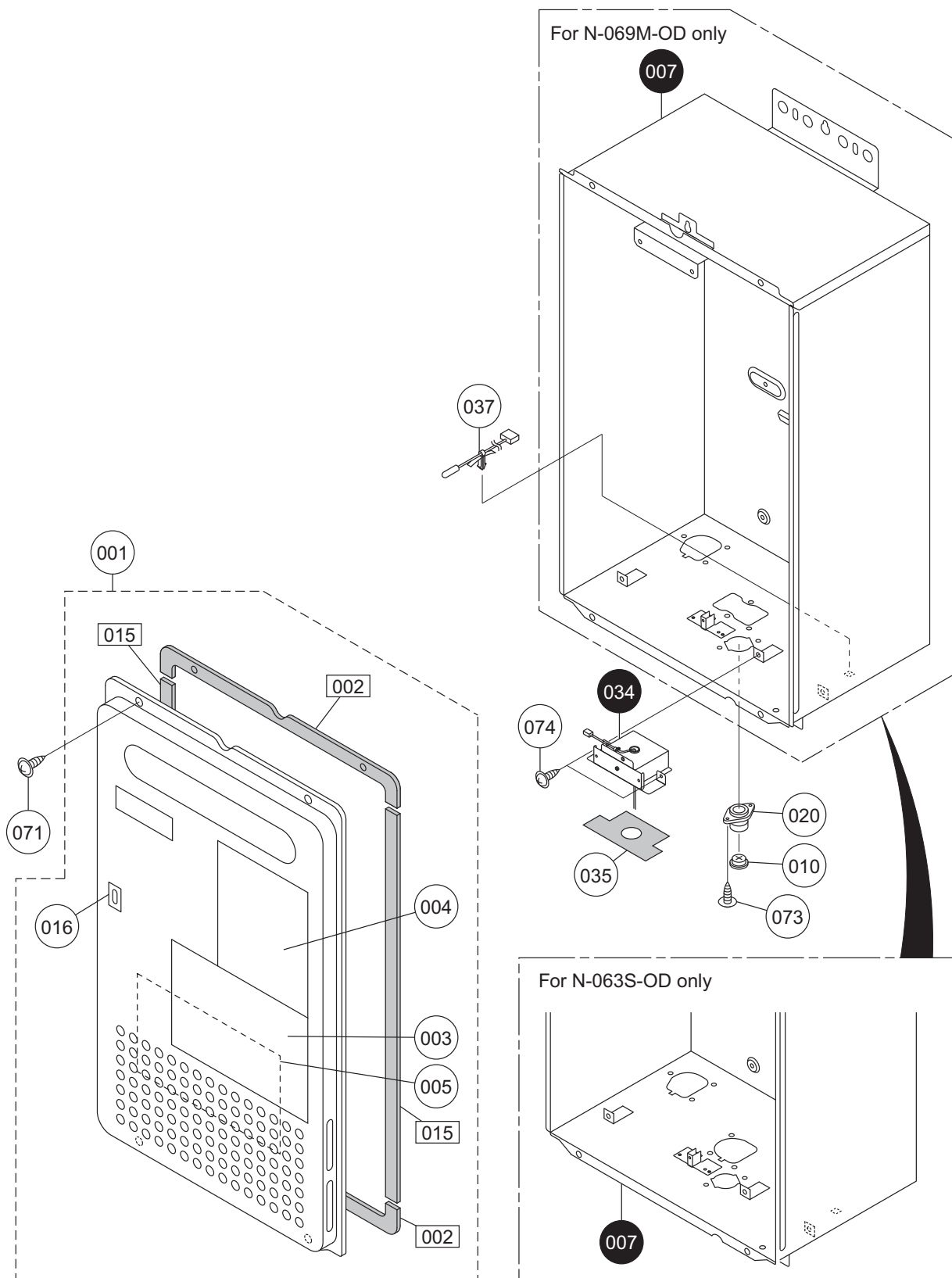
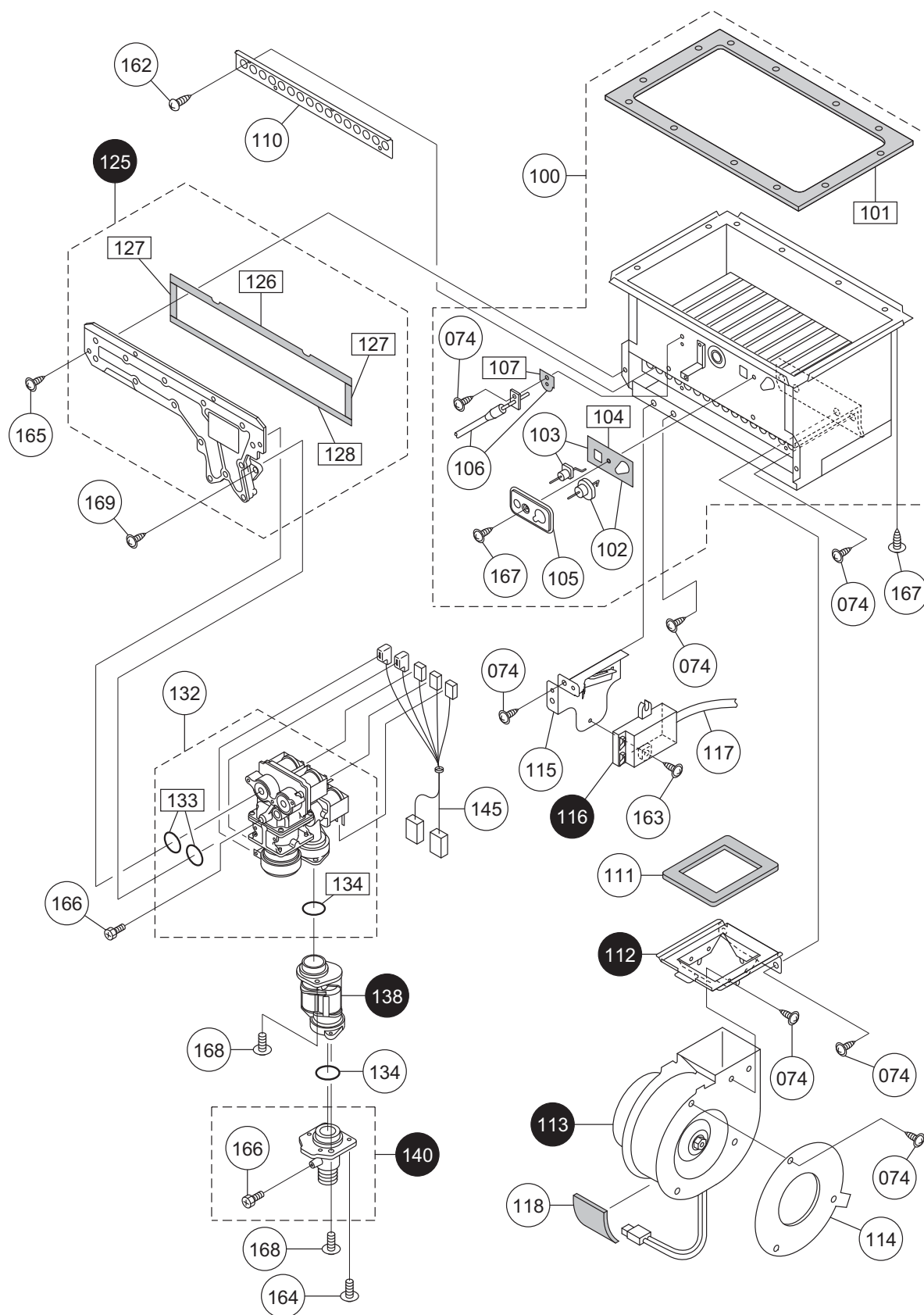


# External outfitting N-069M-OD,063S-OD





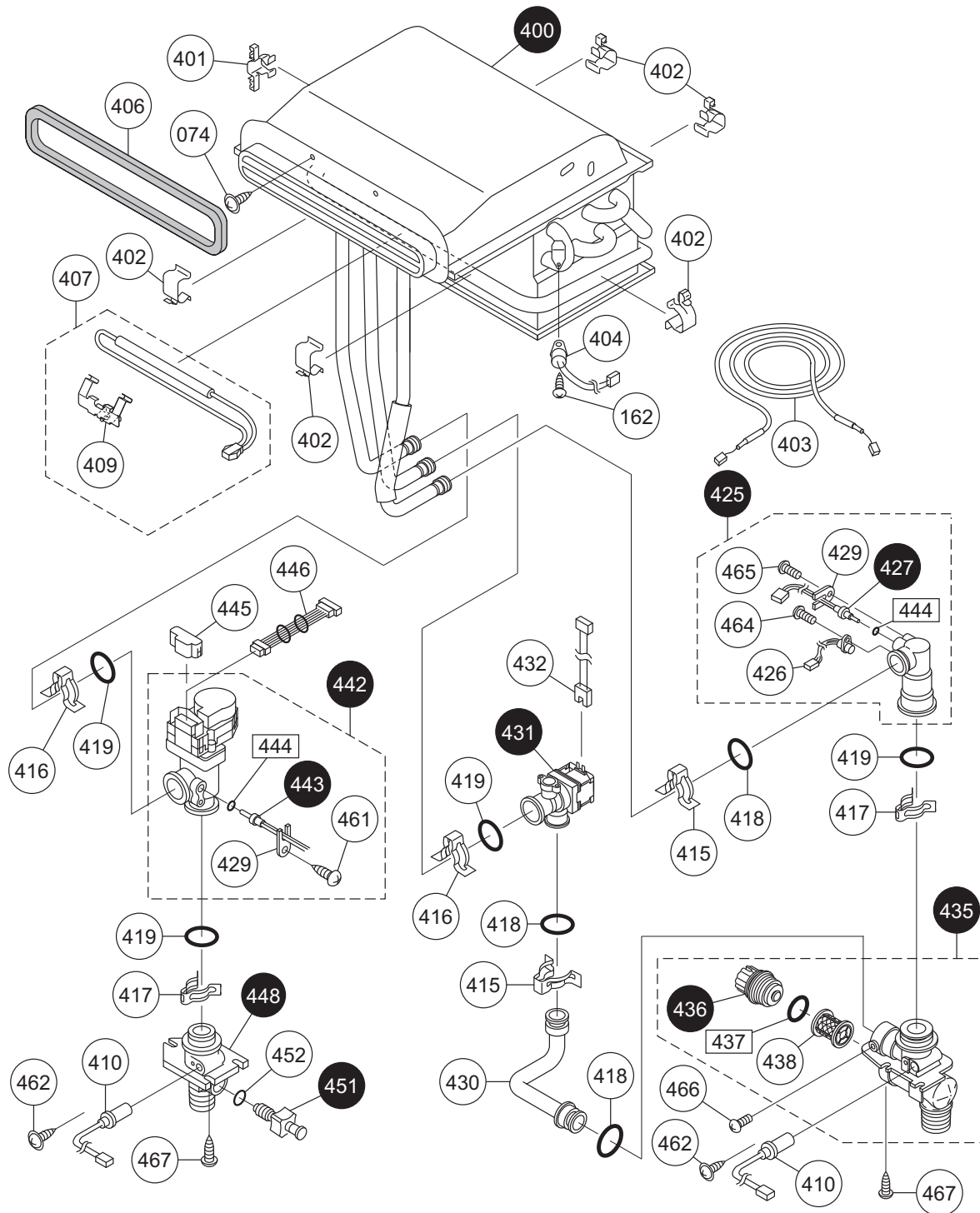
# Combustion unit and gas route N-069M-OD,063S-OD



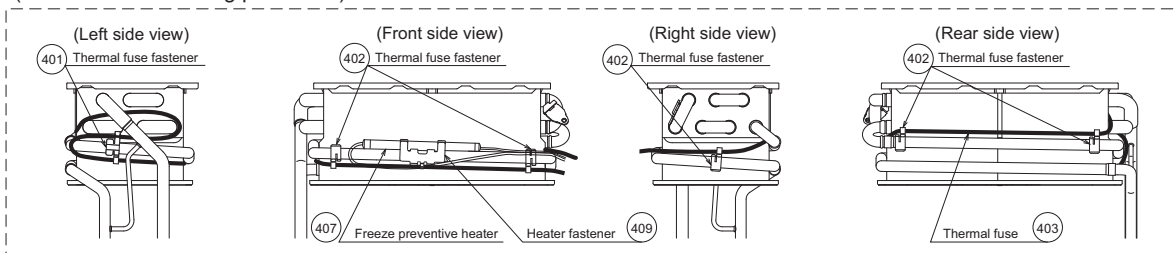
## Combution unit and gas route N-069M-OD,063S-OD

Part Nos.	Part Names	Order Nos.	Q'ty/unit
100	Combustion tube set EHU-A SET-V	SKA7365	1
101	Suction air joint packing DTJ	DTJL001	1
102	Ignition plug CZL & packing DLK SET-V	SBC7684	1
103	Flame rod & packing DLK SET-V	SBC7685	1
104	Plug packing (for B) DLK (NICHI)	SAB2715	1
105	Plug mounting plate (for B) DLK	DLKC029	1
106	Burner sensor Q & packing DWD SET-V	SBF7103	1
107	Burner sensor packing DWD	DWDL005	1
110	Main damper 11 DTJ	DTJC041	1
111	Fan packing Q DTJ	DTJL004	1
112	Fan flange DTJ	DTJF035	1
113	Fan moter EHU-A	EHUF031	1
114	Bell-mouth $\phi$ 48 DTJ	DTJF042	1
115	Mounting plate for igniter DTJ	DTJA015	1
116	Igniter CRP	CRPJ002	1
117	High-voltage cord L350 ALS	ALSJ079	1
118	Conduit guard packing DTJ	DTJL010	1
125	Manifold16 EHU SET-AS	SKA7408	1<LPG>
	Manifold24 EHU SET-AS	SKA7409	1<NGA>
126	Manifold seal packing top DTJ	DTJL005	2
127	Manifold seal packing side DTJ	DTJL007	1
128	Manifold seal packing bottom DTJ	DTJL006	1
132	Gas mech. S16D EDN SET-V	SBE7833	2
133	O-ring P18	2110903	2
134	O-ring P28	1648306	1
138	Gas coupling EHU	EHUE011	1
140	Gas fitting 20A SET EHU	EHUE021	1
145	Conduit R10 EHU	EHUJ004	
162	Cross recessed round-head N-tapping screw 4X8		
163	Cross recessed round-head collar N-tapping screw 4X12		
164	Cross recessed truss machine screw with PW M4X12		
165	Cross recessed round-head type3 EVERTIGHT tapping screw 5X16		
166	Cross recessed hexagon head machine screw M4X8		
167	Cross recessed round-head collar N-tapping screw 4X10		
168	Cross recessed round-head machine screw M5X12		
169	Cross recessed round-head SPAKmachine screw with guide M4X14		

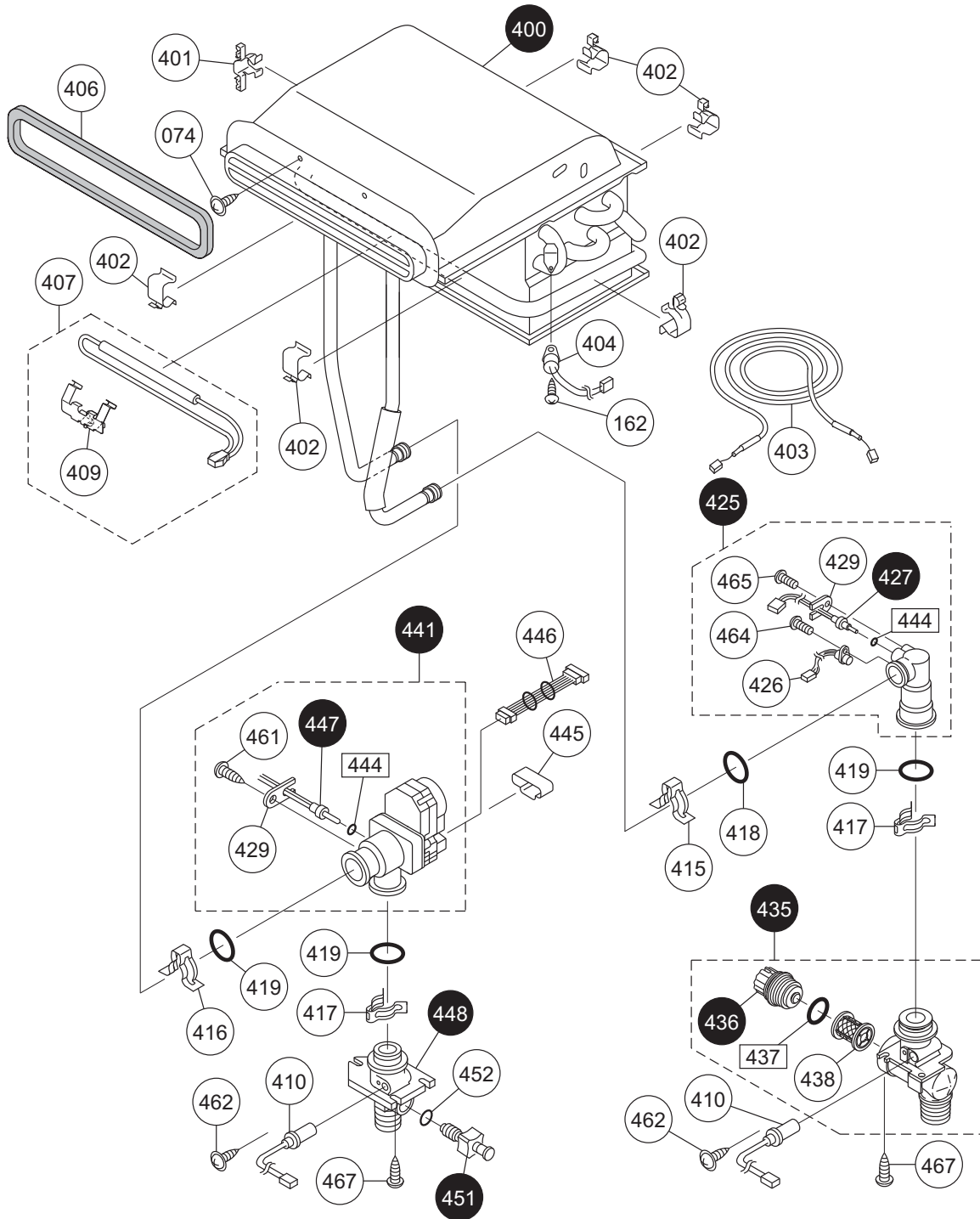
# Hot-water feed route N-069M-OD



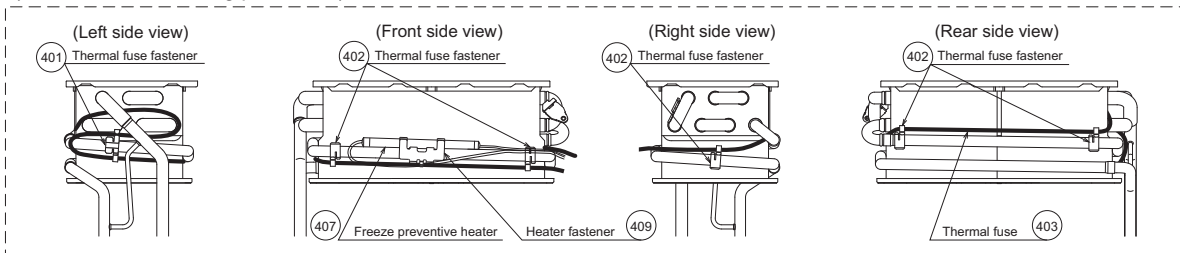
(Thermal fuse rounding procedure)



# Hot-water feed route N-063S-OD



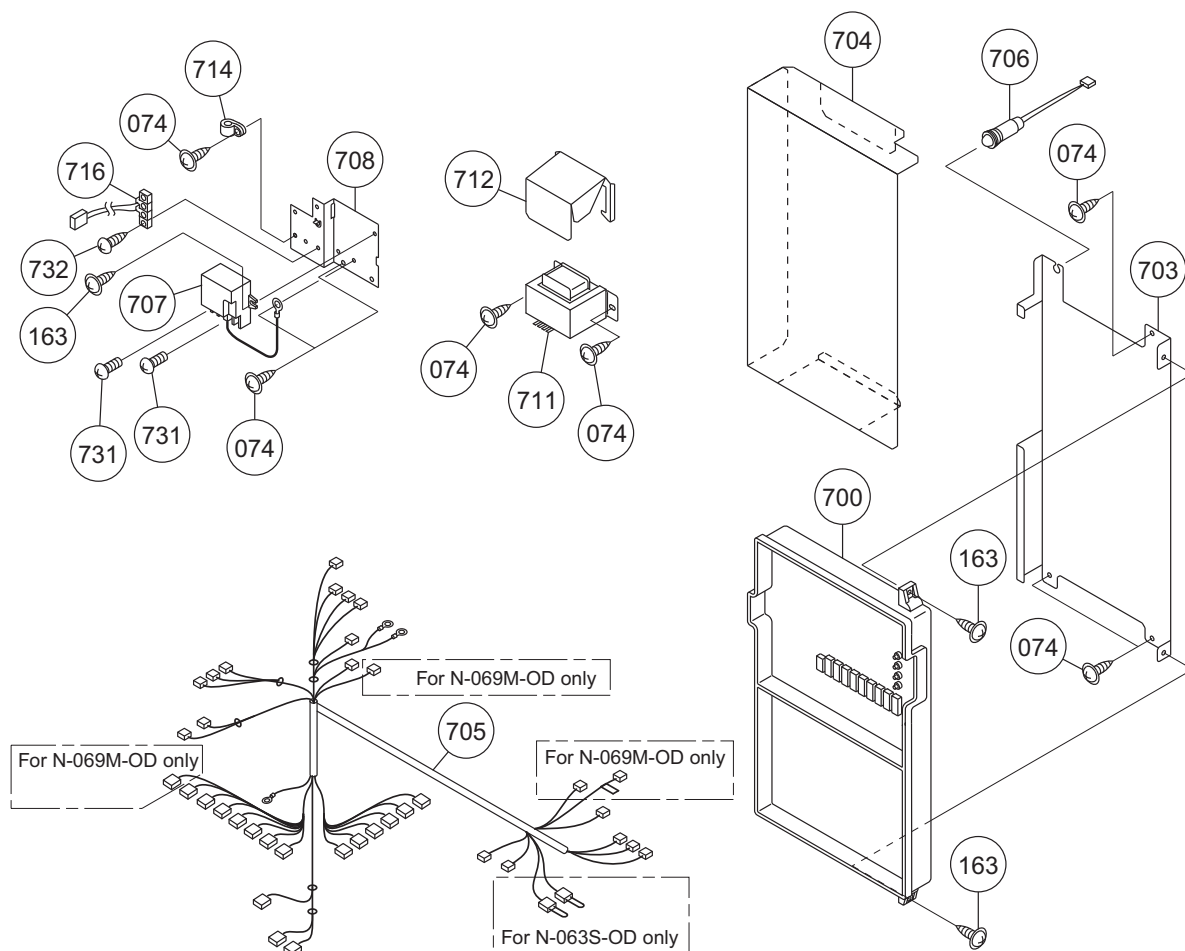
(Thermal fuse rounding procedure)



## Hot-water feed route N-069M-OD,063S-OD

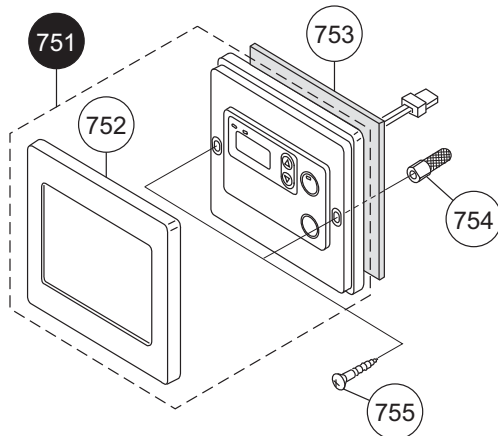
Part Nos.	Part Names	Order Nos.	Q'ty/unit
400	Heat exchanger & Exhaust box W EHU SET-AS	SKA7366	1<N-069M-OD>
	Heat exchanger & Exhaust box W EHV SET-AS	SKA7367	1<N-063S-OD>
401	Thermal fuse fastener CZL	CZLH005	1
402	Thermal fuse fastener DTJ	DTJH002	5
403	Thermal fuse Q DTJ SET-V	SBC7703	1
404	Remaining flame safety device 96 EHU	EHUH001	1
406	Front top packing Q CZR	CZRL001	1
407	Freeze preventive heater CRP SET-V	SAQ7745	1
409	Heater fastener EHK	EHKH001	1
410	Freeze preventive heater 3 BGD	BGDH002	2
415	Quick fastener 13-22	SAD6537	2<N-069M-OD>
	Quick fastener 13-22	SAD6537	1<N-063S-OD>
416	Quick fastener 16-25	SAD6593	2<N-069M-OD>
	Quick fastener 16-25	SAD6593	1<N-063S-OD>
417	Quick fastener 16A	6340300	2
418	O-ring P12.5C	3359808	3<N-069M-OD>
	O-ring P12.5C	3359808	1<N-063S-OD>
419	O-ring P16C	3223302	4<N-069M-OD>
	O-ring P16C	3223302	3<N-063S-OD>
425	Water flow sensor set3 DUV	DUVD019	1
426	Water outlet magnetic sensor BWC	BWCD090	1
427	Water inlet thermistor-300 BWC	BWCD097	1
429	Thermistor holding plate ALS	ALSD088	2
430	Bypass pipe EHU	EHUD005	1<N-069M-OD>
431	Water valve set EHU	EHUD007	1<N-069M-OD>
432	Conduit 23 EHU	EHUJ006	1<N-069M-OD>
435	Water inlet fitting 20A set EHU	EHUD001	1<N-069M-OD>
	Water inlet fitting 20A set EHV	EHVD001	1<N-063S-OD>
436	Water filter cover DTJ	DTJD006	1
437	O-ring P16D FN7032	BRQL008	1
438	Water filter (SUS) EGB	EGBD032	1
441	Water flow servo set HKP	HKPD005	1<N-063S-OD>
442	Water flow servo set 2 DZT	DZTD011	1<N-069M-OD>
443	Heat exchanger thermistor-300 BWC	BWCD098	1<N-069M-OD>
444	O-ring P4C	1323709	2
445	Waterproof cover CZL	CZLD041	1
446	Conduit 86 DZT	DZTJ008	1
447	Hot-water thermistor-300 BWC	BWCD096	1<N-063S-OD>
448	Hot-water outlet fitting20A EHU	EHUD004	1
451	Drain cock CRU	CRUD003	1
452	Hot-water resistant O-ring P3	SAD6633	1
461	Cross recessed round-head P TIGHT screw 4X14		
462	Cross & straight recessed truss type3 S TIGHT tapping screw 4X6		
464	Cross recessed truss P TIGHT screw 4X10		
465	Cross recessed round-head P TIGHT screw 4X14		
466	Cross recessed round-head machine screw M4X8		<N-069M-OD>
467	Cross recessed round-head collar type3 EVERTIGHT tapping screw 4X12		

# Electronic control unit N-069M-OD,063S-OD

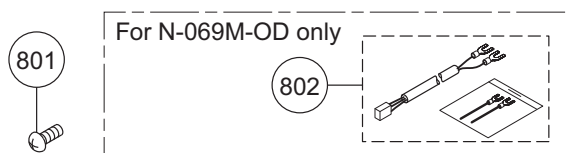


## Remote controller

kitchen remote controller  
(RC-7646M-2-USA)  
For N-069M-OD only



## Attached set



<Special part>

Special part	Special part no.
instruction manual	888



## Electric controller, Remote controller and attached set N-069M-OD,063S-OD

Part Nos.	Part Names	Order Nos.	Q'ty/unit
700	Relay case EHU-C SET-AS	SHA7841	1
703	Mounting plate for relay case EHU	EHUA007	1
704	Relay case cover EHU	EHUA013	1
705	Harness W EHU	EHUJ021	1<N-069M-OD>
	Harness W EHV	EHVJ021	1<N-063S-OD>
706	Lamp cable conduit CRP	CRPJ014	1
707	Current leakage safety device DTJ	DTJJ015	1
708	Mounting plate for terminal block DZT	DZTA006	1
711	Transformer EDN	EDNJ006	1
712	Transformer cover DJP	DJPA054	1
714	Nylon clamp HP-4N (NK-4N)	7287909	1
716	Terminal block CRP	CRPJ017	1
731	Cross recessed blind machine screw M3.5X6		
732	Cross recessed round-head N-tapping screw 4X12		
751	RC-7646M-2 body USA QME	QMEJ005	1<N-069M-OD>
752	Dressed frame body QME	QMEA003	1<N-069M-OD>
753	Wall packing QHU	QHUA115	1<N-069M-OD>
754	Oar plug 6X25		<N-069M-OD>
755	Cross recessed round wood screw 4.1X25		<N-069M-OD>
800	N-069M packing set V	SBP7444	1
801	Cross recessed round-head machine screw M5X12		
802	Remote controller cord S SET EAU	EAUM001	1<N-069M-OD>
888	Instruction manual N-069M-OD	SAR8330	1