

Model NR98(GQ-2857WX US) Series Residential Tankless Water Heater Specification Sheet

- **Standard Input** - Gas consumption ranges from 16,000 BTU/h to 199,900 BTU/h
- **Capacity Range** - Flow rates from 0.5 gpm up to 9.8 gpm
- **Compact Design** - ANSI Z21.10.3/CSA 4.3 certified design that can be wall-mounted indoors (-SV and -DVC models only) or installed outdoors with an -OD model
- **Durable Steel Casing with Polyester Coating**
- **Heat Exchanger** - Manufactured with commercial grade copper, 25% thicker piping than standard models
- **Venting Options** - Available in Power Vent (-SV), Outdoor (-OD), or Concentric Direct Vent (-DVC) model that requires either 4" Category III or 5" / 3" Noritz concentric stainless steel pipe
- **Direct Electronic Ignition**
- **Quick-Connect** - Two identical units can be linked together by using the optional Quick Connect Cord for twice the hot water capacity
- **Uniform Energy Factor (UEF)** - 0.81 (NG) / 0.81 (LP) for DVC
0.81 (NG) / 0.81 (LP) for OD
0.81 (NG) / 0.81 (LP) for SV
- **Temperature Controls** - Includes remote thermostat that can precisely adjust the output temperature from 100°F to 140°F
- **Power Cord Installation Kit** - 6' power cord is included with -SV and -DVC models (*assembly required for SV models*)
- **Safety Devices** - Flame Sensor, Overheat Prevention Device, Lightning Protection Device, Freeze Protection
- **Additional Features** - Temperature Lockout, High Elevation Adjustment, New Scale Detection Function
- **12-Year* Limited Heat Exchanger Warranty for Residential Use**
- **5-Year Limited Parts Warranty**
- **1-Year Reasonable Labor**
- **Approvals** - CSA, UPC**, NSF, Low NOx Approved by SCAQMD [$<14\text{ng/J}$ or 20ppm] Suitable for Installation in a Manufactured (Mobile) Home***



| |
|--|
| <p>Model</p> <p>NR98 _____</p> <p><input type="checkbox"/> SV (Standard Vent)</p> <p><input type="checkbox"/> OD (Outdoor Vent)</p> <p><input type="checkbox"/> DVC (Concentric Direct Vent)</p> <p><input type="checkbox"/> DVC-CA (Concentric Direct Vent for Canada)</p> <p>Accessories</p> <p><input type="checkbox"/> Isolator Valve (#IK-WV-200-1-(SW/TH)-LF)</p> <p><input type="checkbox"/> Pipe Cover for SV/OD Model (#PC-2S)</p> <p><input type="checkbox"/> Pipe Cover for DVC Model (#PC-5S)</p> <p><input type="checkbox"/> Recess Box for OD Model (#RB-700-1)</p> <p><input type="checkbox"/> Quick Connect Cord (#QC-2)</p> |
|--|

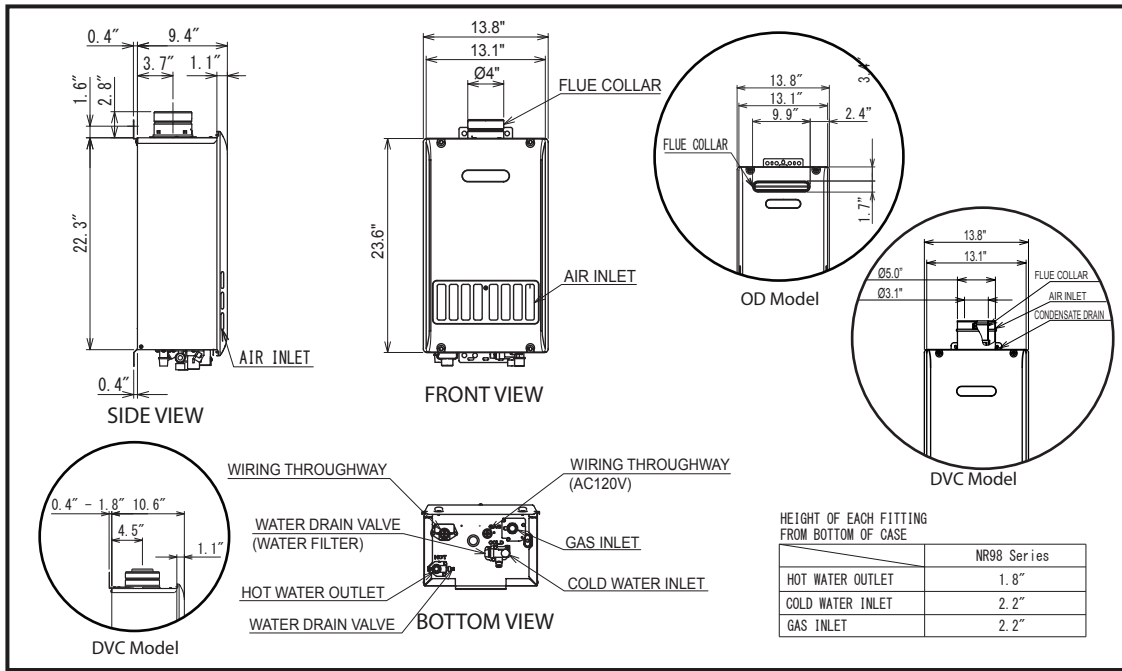


* Heat Exchanger warranty is maintained at 12 years or 6500 operational hours, whichever occurs first, when used in a single family dwelling in conjunction with a controlled recirculation system (an aquastat being the minimum pump control requirement) in accordance with the Installation Manual. Refer to the Noritz Limited Warranty for complete coverage details

** This product complies with California AB 1953 Low Lead Law and Section 1417(d) of the Safe Drinking Water Act

*** Manufactured (Mobile) Home approval is valid for OD or DVC models only

Dimensions

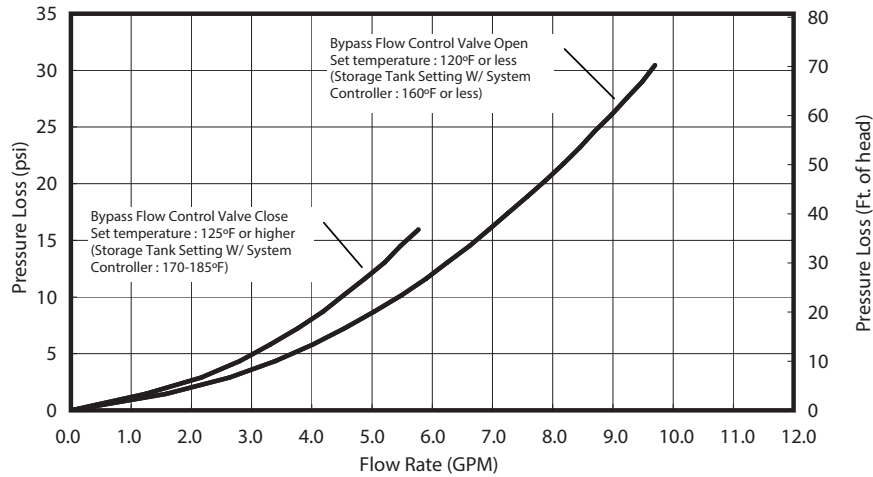


Flow Rates

| Temperature Rise (°F) | 30 | 40 | 45 | 50 | 60 | 70 | 80 | 90 | 100 |
|-----------------------|-----|-----|-----|-----|-----|-----|-----|-----|-----|
| Flow Rate (GPM) | 9.8 | 8.4 | 7.5 | 6.7 | 5.6 | 4.8 | 4.2 | 3.7 | 3.4 |

For peak flow rates in shaded areas, contact Noritz for proper setting

Pressure Loss



Specifications

| Model Name | NR98SV (GQ-2857WX-F US) | NR98OD (GQ-2857WX US) | NR98DVC (GQ-2857WX-FFA US) |
|------------------------------|---|--------------------------------------|--|
| Weight | 54 (pounds) | | 58 (pounds) |
| Water Holding Capacity | 0.2 Gallon | | |
| Connection Sizes | Water Inlet | 3/4" | |
| | Hot Water Outlet | 3/4" | |
| | Gas Inlet | 3/4" | |
| Power | Supply | 120VAC (60Hz), less than 2 amperes | |
| | Consumption | NG:62W LP:75W Freeze Prevention 145W | NG:65W LP:67W Freeze Prevention 161W |
| Freeze Protection | Indoor: -30°F Outdoor: -4°F | Indoor: -30°F | |
| Temperature Settings °F ; °C | 100-140°F (In 5°F intervals), (9 Options) | | 37-48°C (In 1°C intervals), 50,55,60°C (In 5°C intervals) (15 Options) |
| Default Temperature Options | 120°F (50°C), 125°F (52°C), 130°F (54°C), 140°F (60°C) (Original is 120°F (50°C)) | | |