

Stainless Steel Venting for SV and DV Models

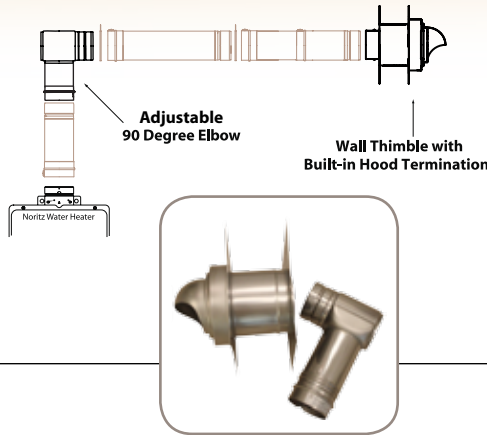
SV

N-Vent Horizontal Vent Kit

VK4-H-*

Specifications & Features

- Stainless Steel
- 4" Diameter
- Flexibility for different wall thicknesses
- Easy installation
- Professional appearance



Part Number Based on Wall Thickness as Follows:

Wall Thickness	*Venting Kit Number
4.1" - 7.4"	VK4-H-8-1
7.4" - 14"	VK4-H-14-1

Horizontal Kit Contains:

Description	Part Number	Quantity
Wall Thimble with Built-in Hood Termination	WT4-H-#-1 (# Based on wall thickness)	1
Vertical Adjustment Range (7.5" - 11")	VP4-90ADJELB	1

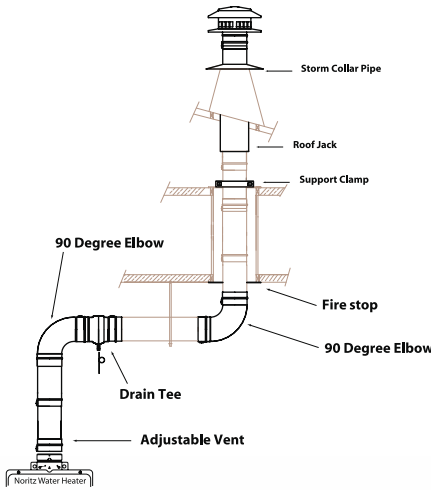
SV

N-Vent Vertical Vent Kit

VK4-V1

Specifications & Features

- Stainless Steel
- 4" Diameter
- Easy installation
- Professional appearance



Vertical Kit Contains:

Description	Part Number	Quantity
Drain Tee	DT4	1
90 Degree Elbow	VP4-90ELB	2
Firestop	FS4	1
Support Clamp	SC4	1
Roof Jack	RJ4	1
Storm Collar Pipe	SCP4	1
Rain Cap	RC4	1
9" - 13.4" Adjustable Vent	VP4-13.4ADJ	1

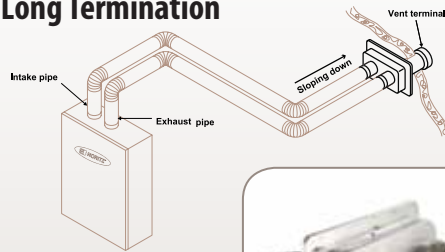


DV

N-Vent Direct Vent Long Termination

Specifications & Features

- Stainless Steel
- 4" Diameter
- Easy installation
- Professional appearance



Use a listed Category III vent adaptor to connect the flue collar to the vent system. Use Category III vent pipe for the entire length of the exhaust pipe.

Part Name	Type	Wall Thickness	Dimensions (inches)		Part Number	Qty/ Box
			Sleeve**	Termination** (L2)		
Vent Termination	Long	3.5" - 5.1"	3.5" - 5.0"	7.0" - 8.5"	VT4-TL-5	1
			5.1" - 8.3"	8.5" - 12.0"	VT4-TL-8	1
		8.3" - 14.6"	8.0" - 15.0"	12.0" - 18.0"	VT4-TL-14	1
			15.0" - 27.0"	18.0" - 30.5"	VT4-TL-27	1

**Sleeve and termination (L2) can be adjusted in increments of 0.4 inch

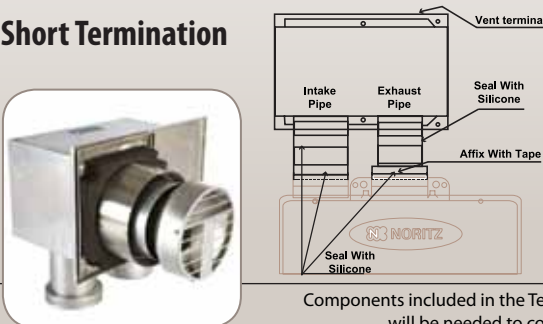


DV

N-Vent Direct Vent Short Termination

Specifications & Features

- Stainless Steel
- 4" Diameter
- Easy installation
- Professional appearance



Part Name	Type	Wall Thickness	Dimensions (inches)		Part Number	Qty/ Box
			Sleeve**	Termination** (L2)		
Vent Termination	Long	3.5" - 5.1"	3.5" - 5.0"	7.0" - 8.5"	VT4-TS-5	1
			5.1" - 8.3"	8.5" - 12.0"	VT4-TS-8	1
		8.3" - 14.6"	8.0" - 15.0"	12.0" - 18.0"	VT4-TS-14	1
			15.0" - 27.0"	18.0" - 30.5"	VT4-TS-27	1

Components included in the Termination Kits are shown in bold and listed in the charts. Note: Additional venting components will be needed to complete most vent runs. **Sleeve and termination (L2) can be adjusted in increments of 0.4 inch

