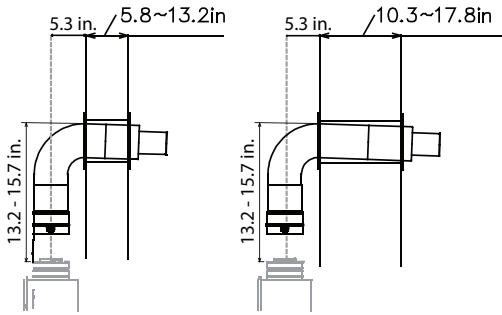


Horizontal- Kits

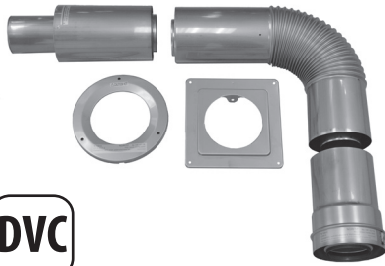


Standard Wall Kit
Includes inner & outer plates
CVK-H

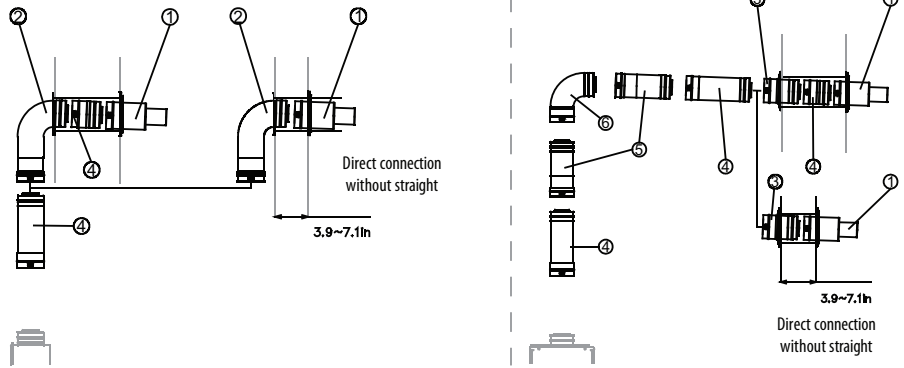
Wall Thickness Range
From 5.8"-13.2"

Thick Wall Kit
Includes inner & outer plates
CVK-H2

Wall Thickness Range
From 10.3"-17.8"



Horizontal- Build Your Own



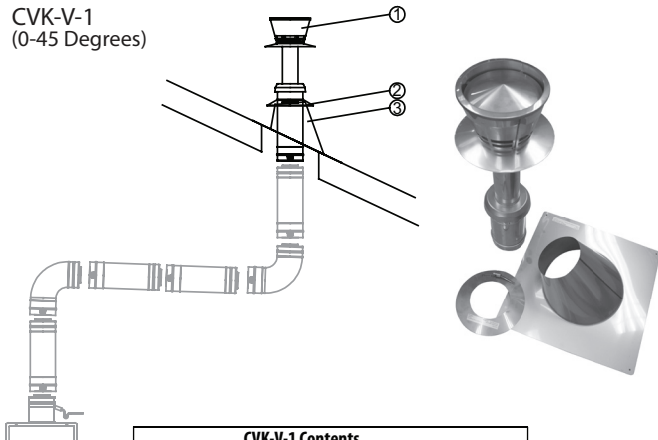
No	1	2	3	4	5	6
Description	Straight Bird Screen w/ Outer Plate	90° Adj w/ Wall Flange	Straight Vent Pipe w/ Wall Flange	Straight	Adjustable	45/ 90 Degree
Part Number	CVT-S	CWF-90ELB	CWF	CVP-4/12/24/36STR	CVP-11/16/40ADJ	CVP-45/90ELB

Vent Pipe Horizontal Kit
Stainless Steel Double-Wall
CVK-H

Model No.	Venting Series	Qty/Box
CVK-H	Concentric SUS*	1
CVK-H2	Concentric SUS**	1

* (5.8" - 13.2" Wall Thickness)
** (10.3" - 17.8" Wall Thickness)

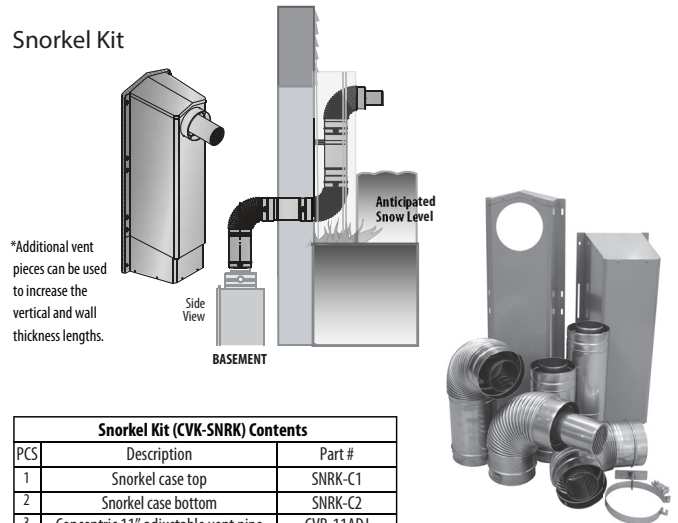
Vertical Kit
CVK-V-1
(0-45 Degrees)



CVK-V-1 Contents		
No	Description	Part Number
1	Concentric Rain Cap	CRCAI-1
2	Storm Collar	CSCR-1
3	Adjustable Roof Flashing (0-45 Degrees)	CARF-1



Snorkel Kit



*Additional vent pieces can be used to increase the vertical and wall thickness lengths.

Snorkel Kit (CVK-SNRK) Contents		
PCS	Description	Part #
1	Snorkel case top	SNRK-C1
2	Snorkel case bottom	SNRK-C2
3	Concentric 11" adjustable vent pipe	CVP-11ADJ
4	Concentric 16" adjustable vent pipe	CVP-16ADJ
5	Concentric snorkel termination elbow	CVT-SNRK-90ELB
6	Concentric 90 degree elbow	CVP-90ELB
7	Concentric 90 degree adjustable elbow	CVP-90ADJELB
8	Adjustable support strap	SSS-3ADJ
9	Screw set	S-12



Vent Pipe Vertical Kit
Stainless Steel Double-Wall
CVK-V-1

Model No.	Venting Series	Qty/Box
CVK-V-1	Concentric SUS*	1

* (0 - 45 Degree Roof Pitch)

Stainless Steel Double-Wall
Vent Pipe Horizontal Snorkel Kit
CVK-SNRK

Model No.	Venting Series	Qty/Box
CVK-SNRK	Concentric SUS	1